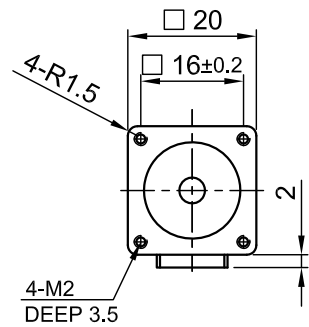
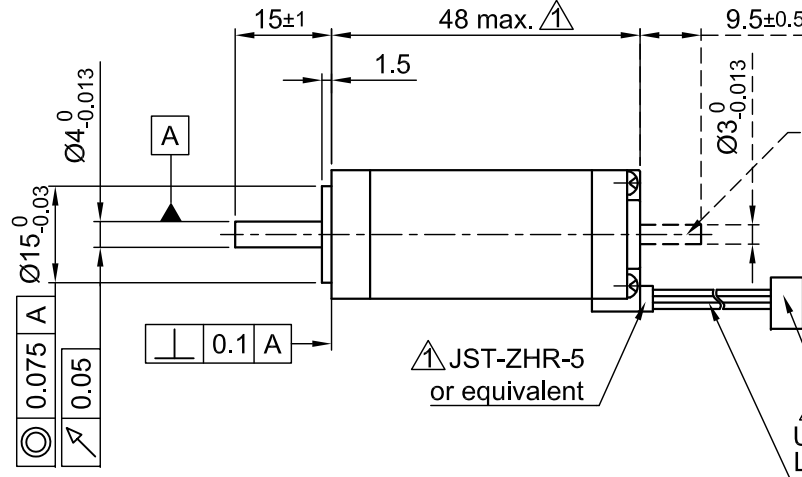


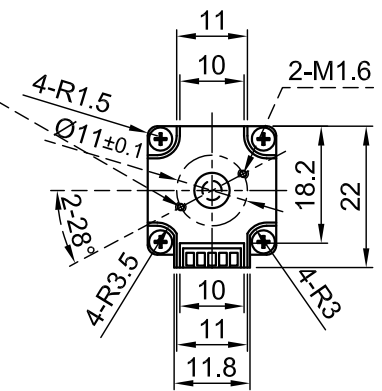
Front view and mounting



Side view



Rear view

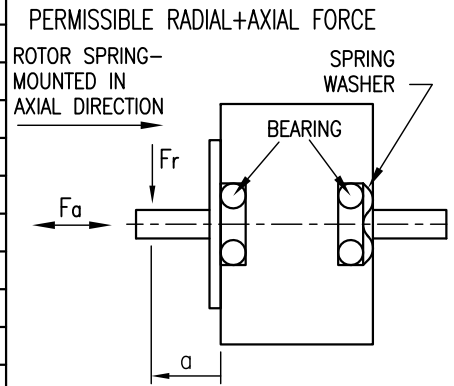


(only for type ST2018L0804-B Ready for encoder + driver mount)

Connector Type: JST XHP-4 Contact: SXH-001T-P0.6

UL1061 AWG26 L=300+10mm

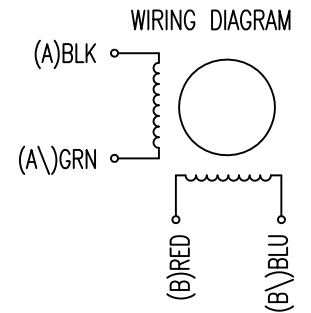
SPECIFICATION	CONNECTION	BIPOLAR
VOLTAGE (VDC)		4.8
AMPS/PHASE		0.8
RESISTANCE/PHASE (Ohms)@25°C		6.0±15%
INDUCTANCE/PHASE (mH) @1KHz		2.2±20%
HOLDING TORQUE (Nm) [lb-in]		0.036 [0.319]
DETENT TORQUE (Nm) [lb-in]		1.8x10 <sup>-3</sup> [1.6x10 <sup>-2</sup> ]
STEP ANGLE (°)+ ACCURACY		1.8±5%
BACK-EMF (V) (300 U/min)		0.72 min.
ROTOR INERTIA (Kg-m <sup>2</sup> ) [lb-in <sup>2</sup> ]		2.3x10 <sup>-7</sup> [7.861x10 <sup>-4</sup> ]
WEIGHT (Kg) [lb]		0.09 [0.198]



TYPE OF CONNECTION (EXTERN)	MOTOR			
	BIPOLAR	CONNECTOR PIN NO.	LEADS	WINDING
A —	1	BLK	A	
A\ —	2	GRN	A\	
B —	3	RED	B	
B\ —	4	BLU	B\	

FULL STEP 2 PHASE-Ex., WHEN FACING MOUNTING END (X)

STEP	A	B	A\	B\	CCW	CW
1	+	+	-	-	↓	↑
2	-	+	+	-	↓	↑
3	-	-	+	+	↓	↑
4	+	-	-	+	↓	↑



TEMPERATURE RISE: MAX.80°C (MOTOR STANDSTILL; FOR 2 PHASE ENERGIZED)		AXIAL-FORCE Fa (N)		Fa=4			
AMBIENT TEMPERATURE -10~ 50°C [14°F ~ 122°F]		DISTANCE a (mm)		5	10	15	20
INSULATION RESISTANCE 100 MOhm (UNDER NORMAL TEMPERATURE AND HUMIDITY)		RADIAL-FORCE Fr (N)		30	18	14	8
INSULATION CLASS B 130° [266°F]				AXIAL		RADIAL	
DIELECTRIC STRENGTH 500VAC FOR 1 MIN. (BETWEEN THE MOTOR COILS AND THE MOTOR CASE)		SHAFT PLAY (mm)		0.075		0.025	
AMBIENT HUMIDITY MAX. 85% (NO CONDENSATION)		AT LOAD MAX: (N)		10		5.0	

3	NEW VALUE OF DETENT TORQUE	01.02.12	J.W.
2	BACK-EMF SUPPLEMENTED	28.06.11	J.W.
1	CONNECTOR TYPE+UL NO.+LENGTH	08.01.09	J.W.
REV	DESCRIPTION	DATE	APVD



ST2018L0804

SCALE	FREE	APVD	S.K.	02.06.06
X	±0.5	CHKD		
1PL	±0.2	DRN	J.W.	02.06.06
2PL	±0.1	SIGNATURE		DATE
ANGLE	±30'			

STEPPING MOTOR

DWG.NO

ST2018L0804