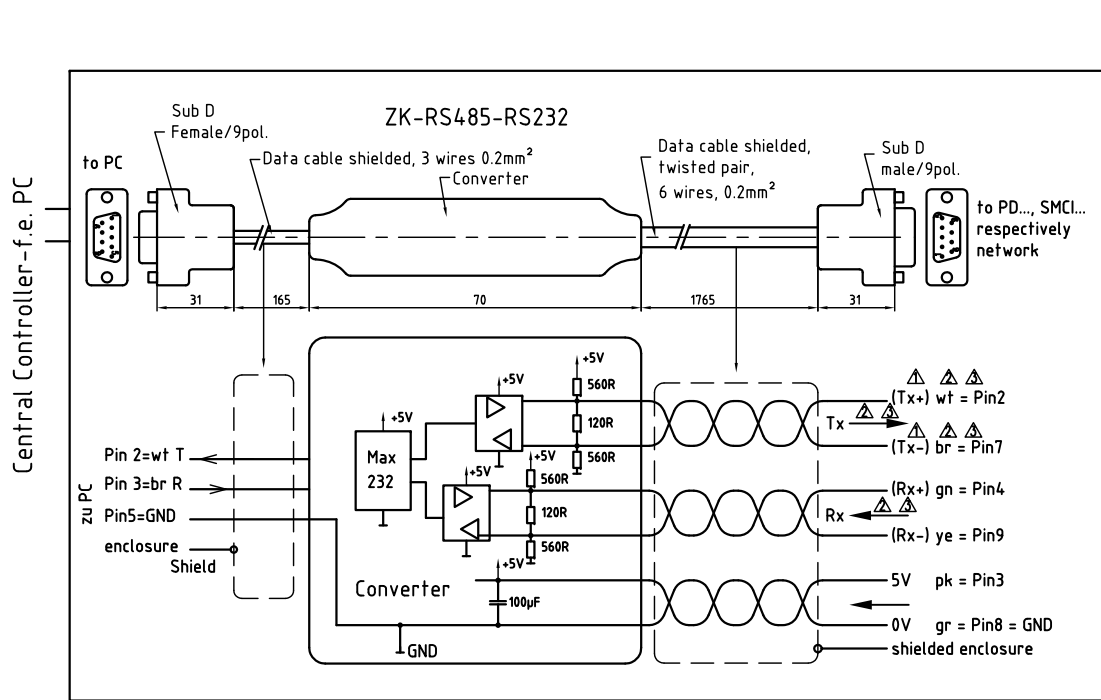


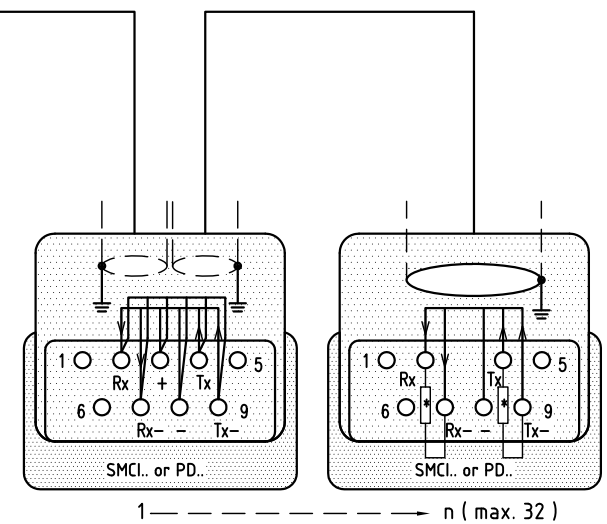
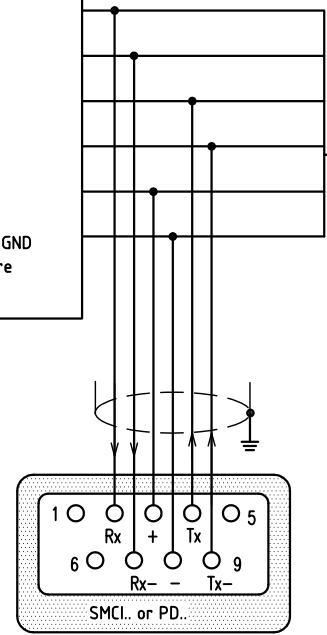
# CONNECTION DIAGRAM RS485 NETWORK



1 unit

2...32 units

- before connecting the unit to the network, every unit must get his own module number via Nanopro programm
- the cable must be shielded twisted pair 6x0.2mm<sup>2</sup> (AWG24)
- the max. cable length of the network cable is 5m
- The last unit in each end of the line must be terminated with 120Ω
- If there are more than two units Pin8 (GND) has to be connected to each unit
- If there are more than two units each unit has to be shielded
- GND and the shielding must be connected in each end
- Pin3 (5V) has only to be connected to one adress the same time, otherwise the controller could be destroyed



**Caution:**  
first read the connecting-description

3	Tx+Rx changed	02.12.08	J.W.
2	Pin2+Pin7 Color,Rx+Tx Direction	09.09.08	J.W.
1	changed Rx+ and Rx-	11.06.08	J.W.
REV	DESCRIPTION	DATE	APVD



RS485 NETWORK

SCALE FREE	APVD	B.W.	07.03.08
X ±0.5	CHKD		
1PL ±0.2	DRN	J.W.	07.03.08
2PL ±0.1	SIGNATURE	DATE	
ANGLE ±30'			

CONNECTION DIAGRAM RS485 NETWORK	
DWG.NO	
RS485 NETWORK	